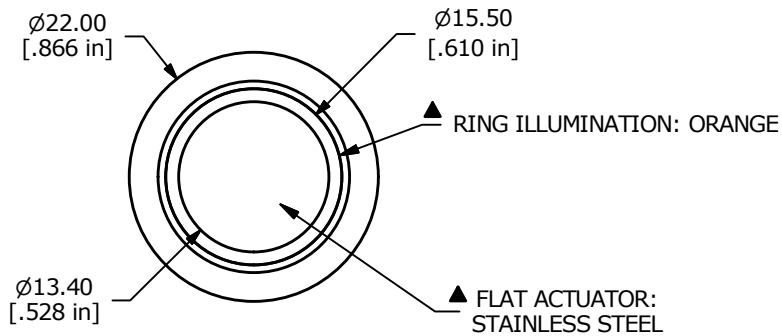
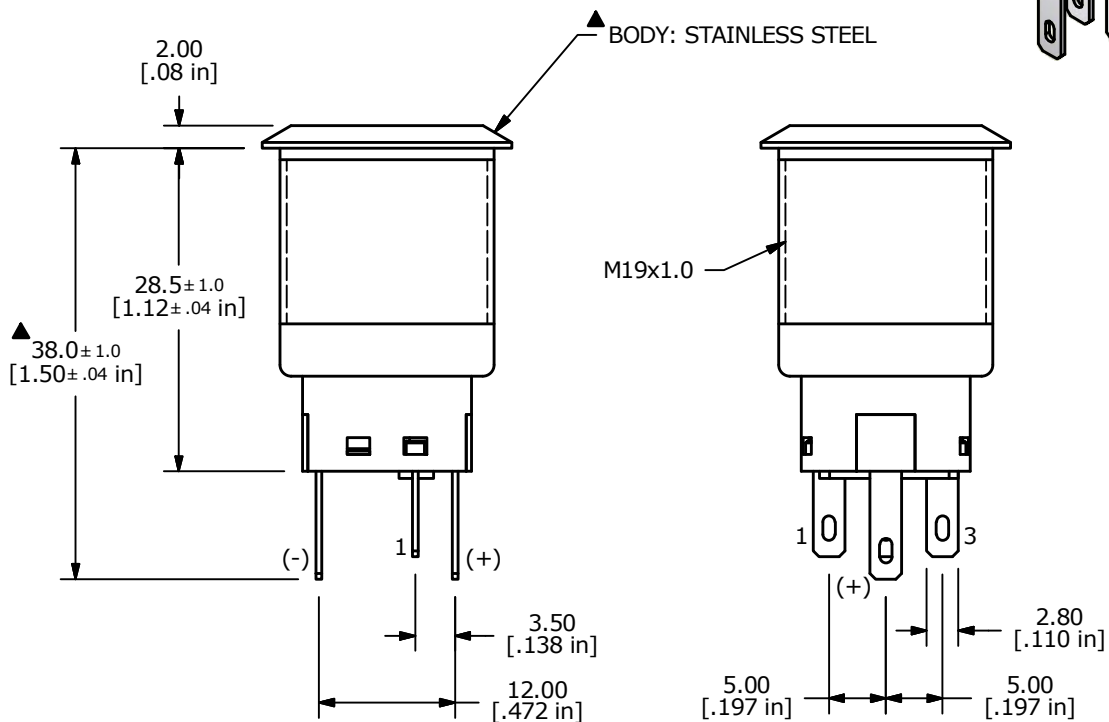
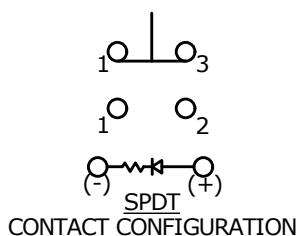


PANEL CUTOUT
MAX. PANEL THICKNESS
11.0mm [0.433]



SWITCH FUNCTION	
POS. 1	POS. 2
ON	ON
1-3	1-2



NOTE:

1. ALL DIMENSIONS IN MM [INCH]
2. GENERAL TOLERANCE: X.X = ±0.4
X.XX = ±0.25
3. TERMINAL NUMBERS FOR REF ONLY
- ▲ 4. CONTACT MATERIAL: SILVER
5. RATING: 2A 24VDC
6. ELECTRIC LIFE: 50,000 MAKE-AND-BREAK CYCLES AT FULL LOAD.
7. INSULATION RESISTANCE: 1,000 MΩ MIN.
8. DIELECTRIC STRENGTH: 2,000 VAC MIN. FOR 1 MINUTE
9. CONTACT RESISTANCE: 50mΩ MAX. @ 1A 12VDC
10. OPERATING TEMP.: -20°C to 55°C
11. TRAVEL: 2.8mm
12. ▲ DENOTES CRITICAL PARAMETER.
13. INGRESS PROTECTION: IP65
- ▲ 14. HARDWARE SUPPLIED: O-RING AND HEXNUT
- ▲ 15. ILLUMINATION COLOR: ORANGE
- ▲ 16. LED VOLTAGE: 24V
17. 2011/65/EU (ROHS) COMPLIANT



TITLE PV4F230SS-325				
SCALE 3:2	DATE 7/28/2015	DR MW	DWG 52-PV4F230SS325	REV A

A	21930	RELEASE FOR PRODUCTION	7/28/2015	MW
REV	PCR NO	DESCRIPTION	DATE	BY

THE INFORMATION CONTAINED IN THIS DOCUMENT IS PROPRIETARY TO E-SWITCH AND IS NOT TO BE COPIED OR TRANSFERRED